

W31962
GM VORTEC 8100 V8 8.1 LITER GAS ENGINE
MARCH 25, 2009

WORKHORSE (GVW RATING 21,500 LB) CHASSIS 190" WHEELBASE

SELECTED BODY OPTIONS

- RAILS CONFIGURED FOR 17 - 19 FT BODY (190" WB)

AXLES

- AXLE REAR 15,500 LB
- REAR AXLE 5.13 RATIO
- DUAL REAR WHEELS

SUSPENSION

- SUSPENSION FRONT 7,500 LB, I-BEAM AXLE
- SUSPENSION REAR 14,500 LB

ENGINE AND TRANSMISSION

- GM VORTEC 8100 V8 8.1 LITER GAS ENGINE
- TRANSMISSION AUTO 5 SPD, SERIES 2200 HS/RDS
- FEDERAL EMISSIONS, REQUIRED FOR ALL VEHICLES TO BE REGISTERED IN FEDERAL EMISSIONS AREAS
- EMISSION SYSTEM FEDERAL, TIER 2
- EVAPORATIVE SYSTEM EMISSION
- REGISTRATION EMISSION, CERTIFICATION, FIFTY STATE
- ENGINE POWER RATING 310 HP @ 3750 RPM

WHEELS AND TIRES

- WHEEL COLOR GRAY
- TIRE FRONT 245/70R19.5 /F HWY
- TIRE BRAND FRONT - GOODYEAR
- TIRE REAR 245/70R19.5 /F HWY
- TIRE BRAND REAR - GOODYEAR

BRAKES

- PWR, FRT&RR DISC, ANTLCK, 4SEN, 70 MM QUADRAULIC
- HAND APPLIED PARKING BRAKE
- TRANSMISSION MOUNTED DRUM TYPE SECURED WITH LOCK WASHERS & LOCTITE
- SIZE: 11 X 2.5 INCHES
-

DRIVESHAFT

- SPL70 DRIVESHAFTS (RE-LUBE)

BATTERY

- HEAVY DUTY BATTERY 750 CCA

- SINGLE GROUP 31 BATTERY

ALTERNATOR

- 145 AMP ALTERNATOR
- DELCO BRAND

STARTING SYSTEM

- DELCO 12 VOLT STARTER - SERIES 29 MT WITH OVER-RUNNING CLUTCH AND SOLENOID-CONTROLLED
- SLIDING PINION

STEERING

- POWER STEERING WITH DELPHI TILT COLUMN AND 4 SPOKE WHEEL
- 48-DEGREE WHEEL CUT ANGLE
- ZF VARIABLE RATIO STEERING GEAR
- ZF BELT-DRIVEN STEERING PUMP 2.24 GPM MIN FLOW / 4.22 GPM MAX FLOW
- 16.6 : 1.0 STEERING RATIO

FUEL SYSTEM

- FUEL TANK 151L, 40 GAL DEEP C/MNT

INSTRUMENTS

- GAUGES: ACTIA "SMART" INSTRUMENT CLUSTER WITH SPEEDOMETER, TACHOMETER, AND FUEL GAUGE PLUS DRIVER SELECTABLE LCD INFORMATION WITH DIGITAL READ OUT FOR ALL ENGINE FUNCTIONS AND VEHICLE OPERATING DATA
- NOTE: ALL GAUGES AND LIGHTS MOUNTED TO BE VISIBLE FROM DRIVER'S SEAT
- HORN: STANDARD 2-NOTE MOUNTED ON LH FIREWALL
- SPEEDOMETER: ACTIA 5 INCH DIAMETER ELECTRONIC (0-85 MPH)
- LIGHTS/WARNING: FRONT TURN SIGNALS, PARKING, HAZARD WARNING, PARK BRAKE ON, HIGH BEAM HEADLIGHTS, TURN SIGNAL INDICATORS, LOW CHARGE
- PROVISIONS DAYTIME RUNNING LAMPS
- CLEAN POWER SOURCE FOR HAND HELD COMPUTER
- PROVISIONS DAYTIME RUNNING LAMPS
- WIPER SYSTEM WINDSHIELD, PULSE
- CRUISE CONTROL AUTOMATIC, ELECTRONIC
- LED COMPATIBLE FLASHER MODULE
- NO KEY COLUMN
- 75 MPH SPEED LIMITER
- LEVER TRANS SHIFTER (REMOTE DA MT) W/PARK POS
- AIR INTAKE RESTRICTION INDICATOR

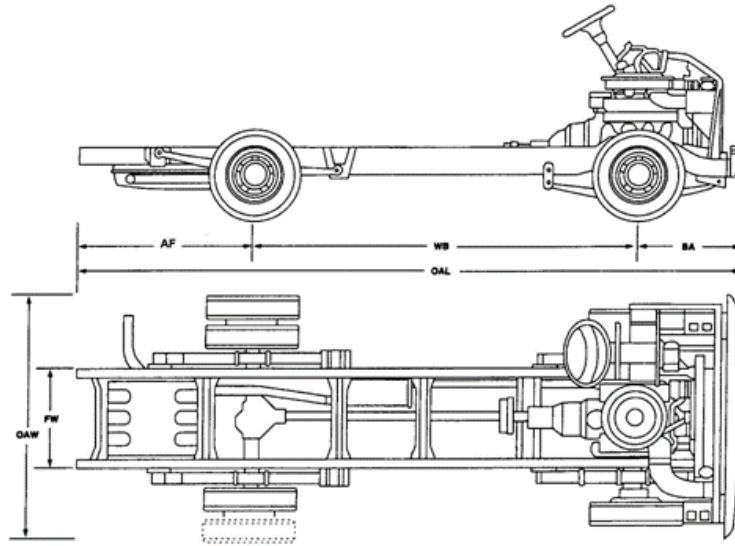
COUNTRY CODE

- UNITED STATES PROVISIONS

WARRANTY

- STANDARD LIMITED WARRANTY, CHASSIS: 3 YEARS - 36,000 MILES - INCLUDING 24 HOUR ROADSIDE ASSISTANCE

VEHICLE DIMENSIONS



| MODEL | | W31962 |
|-------------------------------------|-----|--------|
| WHEELBASE (in) | WB | 190 |
| OVERALL LENGTH (in) | OAL | 321.11 |
| OVERALL WIDTH (in) (SRW and DRW) | OAW | 92.7 |
| FACE BAR TO FRONT AXLE (in) | BA | 34.21 |
| REAR AXLE TO END OF FRAME (in) | AF | 96.9 |

FRAME SPECIFICATIONS

| MODEL | SIDE RAIL DIMENSIONS | | | SECTION MODULUS RAILS ONLY (in) | YIELD STRENGTH (PSI) | RBM OF FRAME | WIDTH OVER RAILS | |
|--------|----------------------|--------------|----------------|---------------------------------|----------------------|--------------|------------------|-----------|
| | WIDTH (in) | DEPTH H (in) | THICKNESS (in) | | | | FRONT (in) | REAR (in) |
| W31962 | 3 | 9.625 | 0.25 | 10.13 | 50,000 | 506,500 | 40 | 34 |

FRONT AXLE SPECIFICATIONS

| | |
|--------------------------|---|
| AXLE TYPE | Westport Mono-Beam Axle with double drop |
| CAPACITY | AXLE FRONT 9,000 LB (FP6) |
| KPI - KPI (in) | 72 |
| WHEEL TRACK (mm) | 2,120.9 |
| SPRING TRACK (mm) | 988 |
| KPI (°) | 5.5 |
| KNUCKLE | Regular spindle with bolt-on torque plate for mounting caliper. |
| WHEEL BEARINGS | Oil lubricated Timken FS taper roller bearings. |
| LUBRICANT | SAE 90 gear oil |

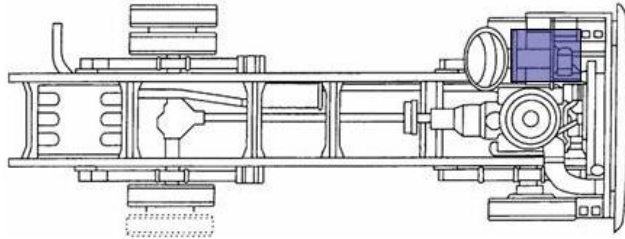
REAR AXLE SPECIFICATIONS

| | |
|-------------------------------------|---------------------------|
| AXLE TYPE | STABILRIDE DANA S130 |
| WHEEL CONFIGURATION | DUAL REAR WHEELS (R05) |
| CAPACITY | AXLE REAR 15,500 LB (GL8) |
| PINION & RING GEARS | HYPOID |
| DIFFERENTIAL TYPE W/BEARINGS | STANDARD TAPERED ROLLER |

SUSPENSION SPECIFICATIONS

| | |
|----------------------------|--|
| GVWR | GVW RATING 21,500 LB (C8W) |
| REAR WHEELS | DUAL REAR WHEELS (R05) |
| FRONT AXLE CAPACITY | AXLE FRONT 9,000 LB (FP6) |
| FRONT SUSPENSION | SUSPENSION FRONT 7,500 LB, I-BEAM AXLE (FV4) |
| FRONT GAWR | 7,500 LB |
| REAR AXLE CAPACITY | AXLE REAR 15,500 LB (GL8) |
| REAR SUSPENSION | SUSPENSION REAR 14,500 LB (GQ6) |
| REAR GAWR | 14,500 LB |

POWER STEERING SPECIFICATIONS



| | | | |
|------------------|--|----------------------------------|-------------------------|
| TYPE PUMP | ZF, INTEGRAL, ROTARY VANE | MOUNTING LH SIZE OF BLOCK | |
| W62 | Driven by: Belt from Crankshaft Pulley | 2.24 gpm Min. Flow Rate | 4.22 gpm Max. Flow Rate |

POWER BRAKE APPLICATIONS

| 4-WHEEL ANTI-LOCK, 4-WHEEL DISC BRAKES | | | | | PARK BRAKE TYPE | APPLY SYSTEM | |
|--|--------------------------|-----------------------------------|-----------------------|--------------------------|---------------------------------|--------------|-----------------------|
| ROTOR SIZE: DIA. x TH. (in) | CALIPER PISTON DIA. (mm) | FACING CONTACT AREA/AXLE (sq. in) | PAD SIZE: LxWxTH (in) | SWEPT AREA/AXLE (sq. in) | | BOOSTER TYPE | MASTER CYL. DIA. (in) |
| 15.38 x 1.54 | 4 x 70 mm | 73.56 | (18.39) x .74 | 392.4 | TRANSMISSION-MOUNTED DRUM BRAKE | HYDRO MAX | 2 |

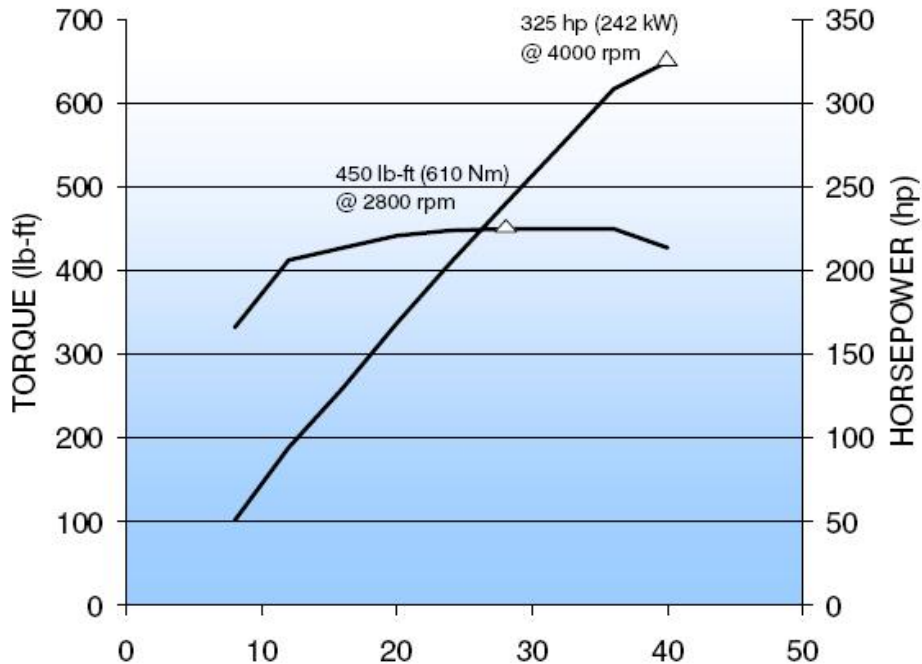
GM VORTEC 8.1L – V8



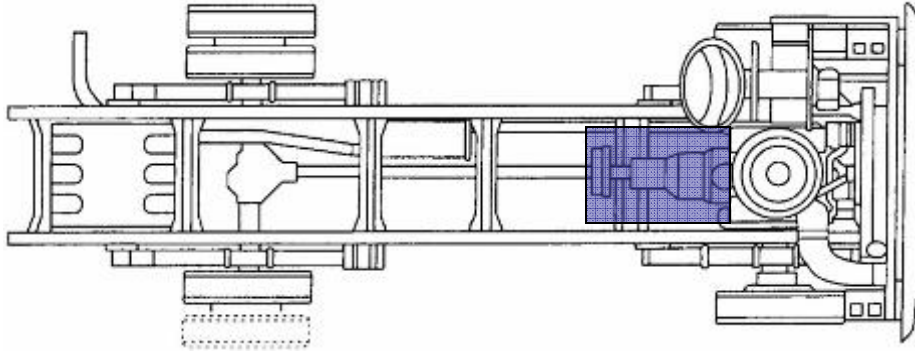
Vortec 8.1L V8
2008 (L18)

| | |
|-------------------------------|-------------------------------|
| Engine type | 4 Cycle |
| Service type | Naturally Aspirated |
| Engine model number | L18 |
| Number of cylinders | 8 |
| Number of valves per cylinder | 2 |
| Configuration | V |
| Bore | 107.95 mm |
| Stroke | 111 mm |
| Displacement | 8128cc (496 ci) |
| Compression ratio | 9.1:1 |
| Firing order | 1 - 8 - 7 - 2 - 6 - 5 - 4 - 3 |
| Rotational direction | Longitudinal |
| Fuel system | Sequential Fuel Injection |
| Net power @ rpm | 310 hp @ 3,750 rpm |
| Peak torque @ rpm | 455 lb-ft @ 3,200 rpm |
| Idle speed no-load rated | 720 +/- 50 rpm |
| Speed full-load | 4800 rpm |
| Exhaust | Single |
| Engine Vin code | G |

2008 Vortec 8.1L V8 (L18) LRW option



ALLISON 2200 HS AUTOMATIC TRANSMISSION



| | |
|------------------------------------|--------------------------------------|
| TRANSMISSION MODEL | AUTOMATIC 5-SPEED w/OVERDRIVE |
| RPO CODE | MTX |
| GEAR RATIOS | |
| First | 3.10 |
| Second | 1.81 |
| Third | 1.41 |
| Fourth | 1.00 |
| Fifth | 0.71 |
| Reverse | -4.49 |
| GEAR TYPE | Planetary |
| TORQUE CONVERTER | |
| Element Types | Pump/Stator/Turbine |
| Lock-up Clutch | Automatic |
| Model | TC-210 (w/8.1 1L) |
| Model | TC-211 (w/4.5 1L) |
| LUBRICANT TYPE | Transynd ® |
| LUBRICANT CAPACITY | |
| Dry (Deep Pan): | 17L (19 Qts.) |
| Refill | 10L (11 Qts.) |
| MAX ENGINE TORQUE (lb.-ft.) | 550 |
| MAX GVW (lbs.) | 26,000 |